

# SNIPE

PRECISION IRRIGATION AND FERTILIZATION PLATFORM

Powered by



[www.snipe.ps](http://www.snipe.ps)



# About Snipe

*Precision by design. Sustainability by purpose*



## WHO WE ARE

Snipe is an Ag-Tech engineering company specializing in precision irrigation and fertilization control systems that enhance the efficiency, sustainability, and profitability of modern farming. Founded in 2019, Snipe integrates IoT-enabled wireless sensors, remote-control units, and data-driven automation technologies into a unified smart farming ecosystem that delivers significant improvements in water management, nutrient delivery, and overall crop yield.



## OUR VISION

To empower farmers with smart, cost-effective technologies that boost profitability, optimize water and nutrient use, and secure a sustainable, prosperous future for their families and their farms.



## OUR MISSION

To deliver intelligent irrigation and fertilization solutions that make precision farming accessible and affordable, empowering farmers to optimize resources, reduce costs, and build resilient, sustainable farms.

# About Snipe

*Precision by design. Sustainability by purpose*



## Core Competencies

### Advanced Fertigation Systems

Intelligent multi-channel controllers for automated nutrient injection and irrigation management

### Data Analytics

Real-time monitoring and predictive analytics that enable adaptive decision-making and optimized water and nutrients utilization

### Wireless IoT Terminals

Reliable, remote control devices connecting distributed field devices such as sensors, valves, pumps, pressure sensors, and flow meters

### Scalable System Architecture

Flexible and configurable Controller supporting small to large commercial farms, utilizing both wired and wireless installations

## Competitive Advantage

### Integrated IoT

Combined hardware, software, embedded firmware, and data analytics

### Engineering Expertise

Custom IoT design and development with 2G/3G/LTE cellular and WiFi support

### AWS cloud services and mobile app development

Cost-effective, scalable and affordable fertigation solutions

Local and remote programming and monitoring

Over-the-Air (OTA) system configuration and firmware updates

Multi-language support



# Our Solutions Overview

## SMART. SUSTAINABLE. EFFICIENT.

At Snipe, we provide integrated, intelligent solutions that combine precision fertigation, cloud-based monitoring, and advanced wireless control technologies — all working together to make farming smarter, more productive, and sustainable.

### Cloud-based farm monitoring

Web & mobile App real-time farm visualization



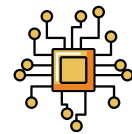
### Precision fertigation

Automated irrigation & fertilization system designed to optimize water & fertilizer use



### IOT wireless connectivity

Remote monitoring & control of wireless sensors & water management control devices



### Maintenance Program

Proactive and scheduled maintenance program to insure system optimal operation



### Technical services & support

Professional installation, maintenance, and timely field support



# Flagship Platform – System Components

**AgriLive™** — Snipe’s flagship fertigation management platform was designed to address the rising cost of operating a profitable farm, driven by the increasing scarcity and expense of irrigation water, fertilizers, and energy. AgriLive™ delivers full automation, real-time data analytics, and precision control of irrigation water and fertilizer use. AgriLive™ enables intelligent, cloud-connected systems, responding to crop requirements and environmental conditions

Programming control unit

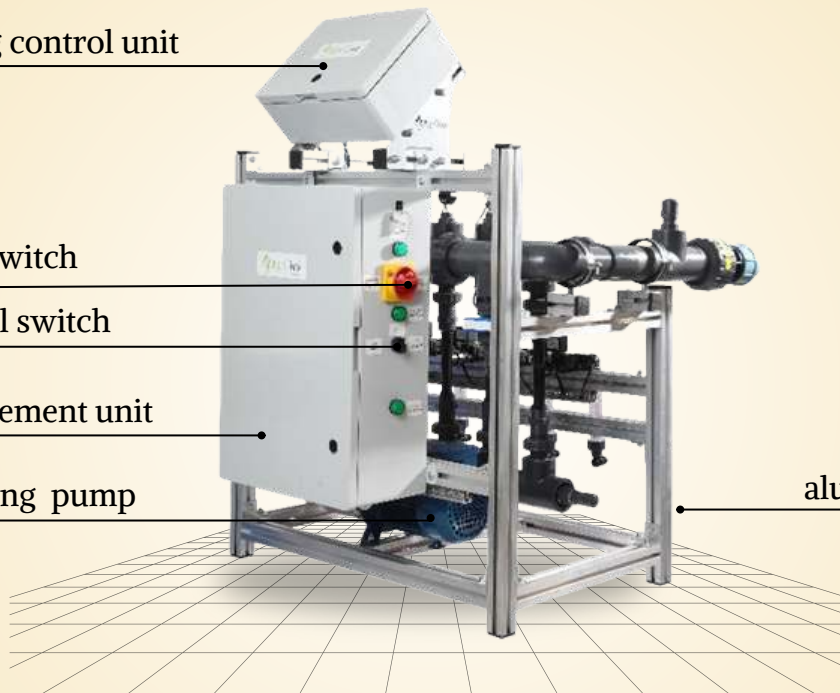
Main power switch

Auto / manual switch

Power management unit

Fertilizer dozing pump

Structural aluminium frame



Pressure sensor

PVC Piping

EC-PH Sensors

water outlet

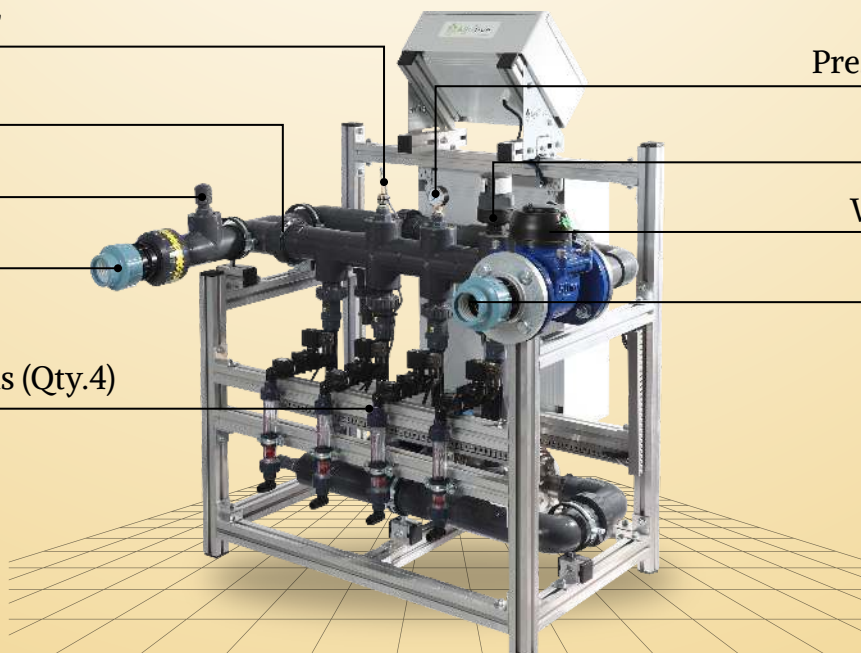
Dosing channels (Qty.4)

Pressure gauge

Air vent

Water meter

water inlet



Note: Component layout may vary based on system model

# Wireless Remote Unit (IoT)

**SnipeLink™** — A robust wireless communication platform enabling seamless integration of distributed sensors and control units across the farm. SnipeLink™ forms the backbone of Snipe's connected Ag-Tech ecosystem, ensuring remote monitoring and control, reliable, scalable, and secured system operation.

## Monitoring IoT

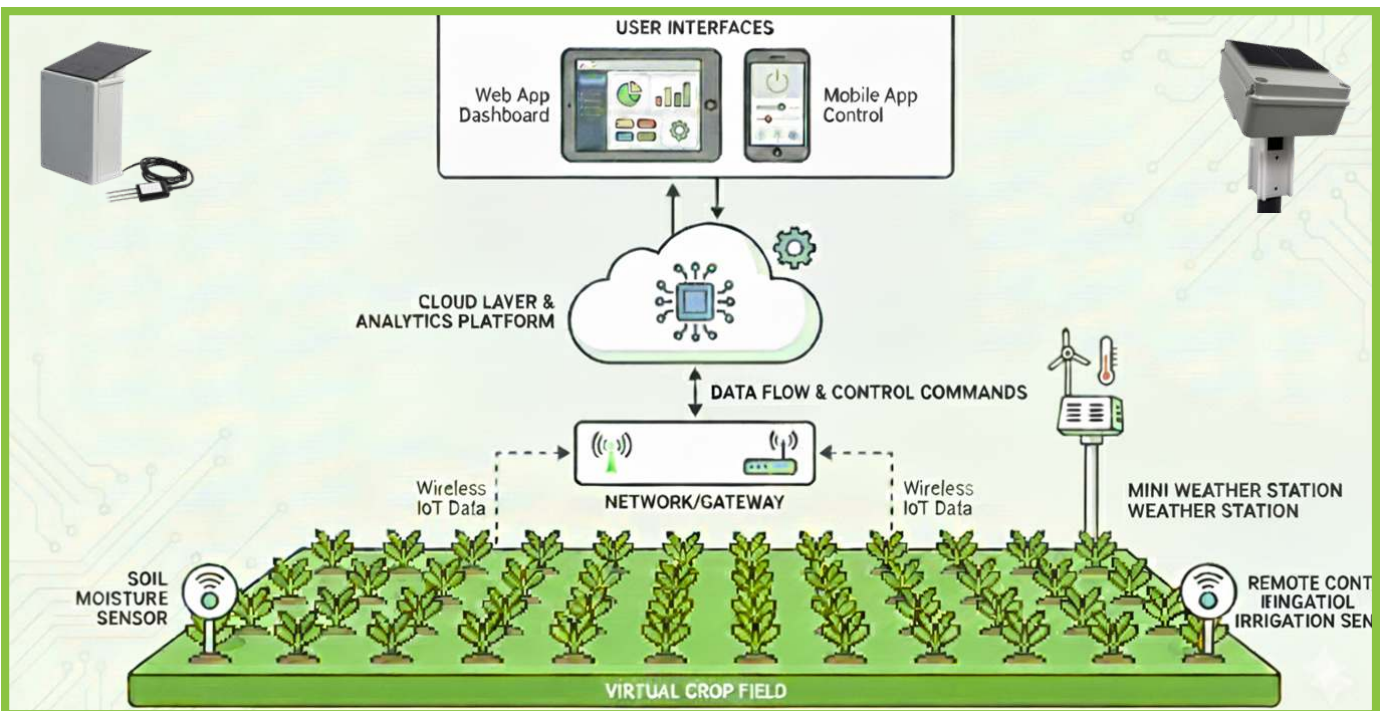
- Water Pressure
- Flow Meter
- Soil Moisture
- Temperature Sensors
- Water Level
- Soil and Water EC

## Control IoT

- Valve Control
- Pump Control
- Greenhouse Temp
- Heating Actuators
- Leak Detection



# System Diagrams





# Contact Us

---



+970 594 303 002



info@snipe.ps



3rd floor, Mekka building,  
Al-Masayef, Ramallah



www.snipe.ps



About Snipe



Snipe App